

FEATURES

- Standard USB or PS/2 mouse interface
- Robust mechanical design for industrial applications. Passed the 10 million cycle test.
- Advanced smooth motion control algorithm
- CellMute™ technology filters the wireless EMI noise from cellular phones and wireless networks
- Works with standard Windows® mouse drivers
- Low power consumption. 890uA (idle), 3.21 mA (operation)
- 4.3V to 5.25V operating voltage
- Temperature range: -40°C to +85°C

APPLICATION

- Industrial/Medical Keyboards
- Instrumentation Control Panel

Sprintek U.S. patent number 8,593,403 applies to this module.

DESCRIPTION

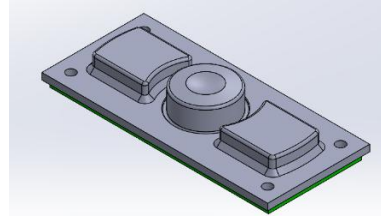
The SK8726/SK8725/SK8722 ToughPoint™ silicone rubber pointer mouse OEM module is a robust, space-saving PS/2 pointer mouse device deploying a Sprintek advanced pointing stick controller. The module can be easily integrated into industrial / medical control panels, keyboards as a mouse function. The module has high ESD protection.

Typically, consuming 890uA in idle state, the SK8726/SK8725/SK8722 is ideal for battery-operated systems.

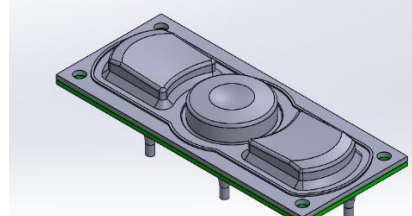
Deploying CellMute™ technology and patented signal conditioning circuit to filter the wireless EMI noise from cellular phones and wireless networks, the SK8726/SK8725/SK8722 modules can work quietly in wireless environment.

MODULE PICTURES

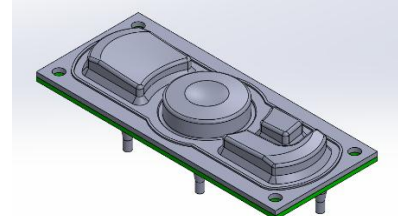
SK8726(2 buttons, OEM)



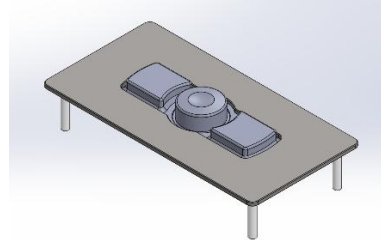
SK8725 (2 buttons, OEM)



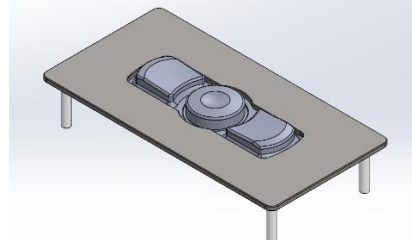
SK8722 (3 buttons, OEM)



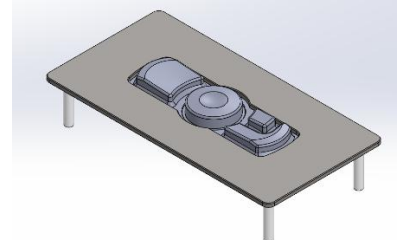
SK8726(2 buttons, Panel)



SK8725 (2 buttons, Panel)



SK8722 (3 buttons, Panel)



Control Board (1.2mm or 2mm)



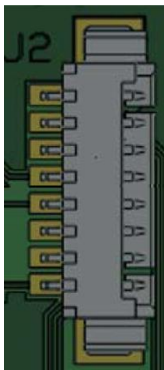
ORDEING INFORMATION

- SK8726-76-003 (USB, 2 buttons, OEM)
- SK8726-76-004 (USB, 2 buttons, Panel)
- SK8726-76-005 (PS/2, 2 buttons, OEM)
- SK8726-76-006 (PS/2, 2 buttons, Panel)
- SK8725-75-003 (USB, 2 buttons, OEM)
- SK8725-75-004 (USB, 2 buttons, Panel)
- SK8725-75-005 (PS/2, 2 buttons, OEM)
- SK8725-75-006 (PS/2, 2 buttons, Panel)
- SK8722-72-003 (USB, 3 buttons, OEM)
- SK8722-72-004 (USB, 3 buttons, Panel)
- SK8722-72-005 (PS/2, 3 buttons, OEM)
- SK8722-72-006 (PS/2, 3 buttons, Panel)

* All modules are Pb-Free, RoHS

Connector Pinout – PS/2 Interface

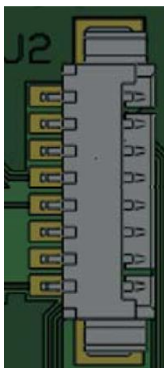
Molex #53261-0871



J2 Pin	Signal	Description
8	DATA	PS/2 Data
7	CLK	PS/2 Clock
5	SHIELD	Shield ground
4	GND	Ground
1	VCC	+5V

Connector Pinout – USB Interface

Molex #53261-0871



J2 Pin	Signal	Description
5	SHIELD	Shield ground
4	GND	Ground
3	D-	USB D-
2	D+	USB D+
1	VCC	+5V

Communication Protocol

SK8726/SK8725/SK8722 simulates standard USB and PS/2 mouse and follows its command protocol.

ELECTRONICS SPECIFICATION

Absolute Maximum Ratings

Symbol	Description	Min	Typ	Max	Units	Notes
TSTG	Storage Temperature	-55	-	+100	°C	

Operating Temperature

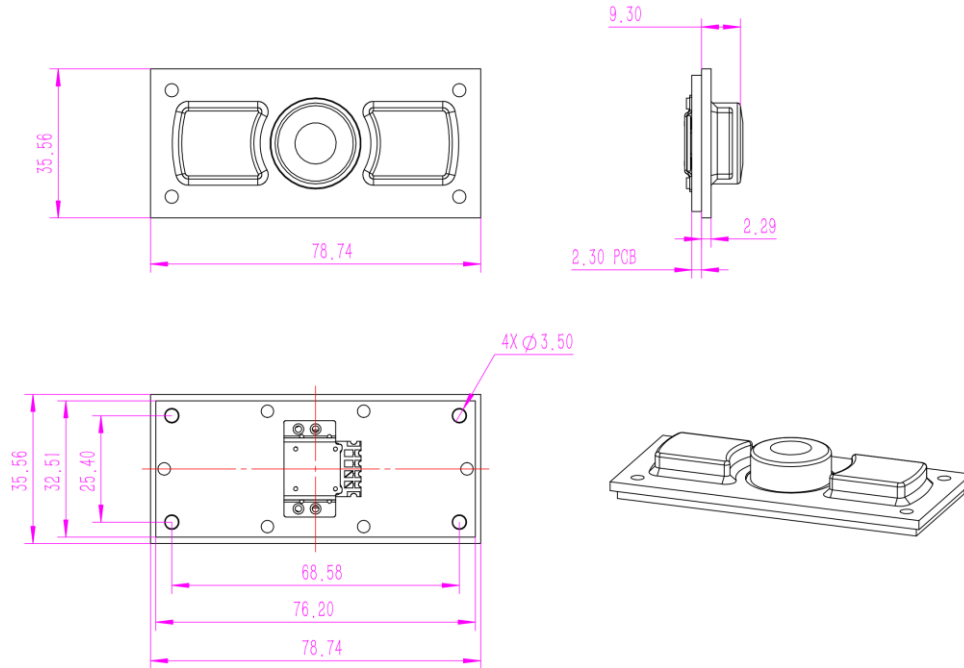
Symbol	Description	Min	Typ	Max	Units	Notes
TOP	Operating Temperature	-40	-	+85	°C	

DC Electrical Characteristics

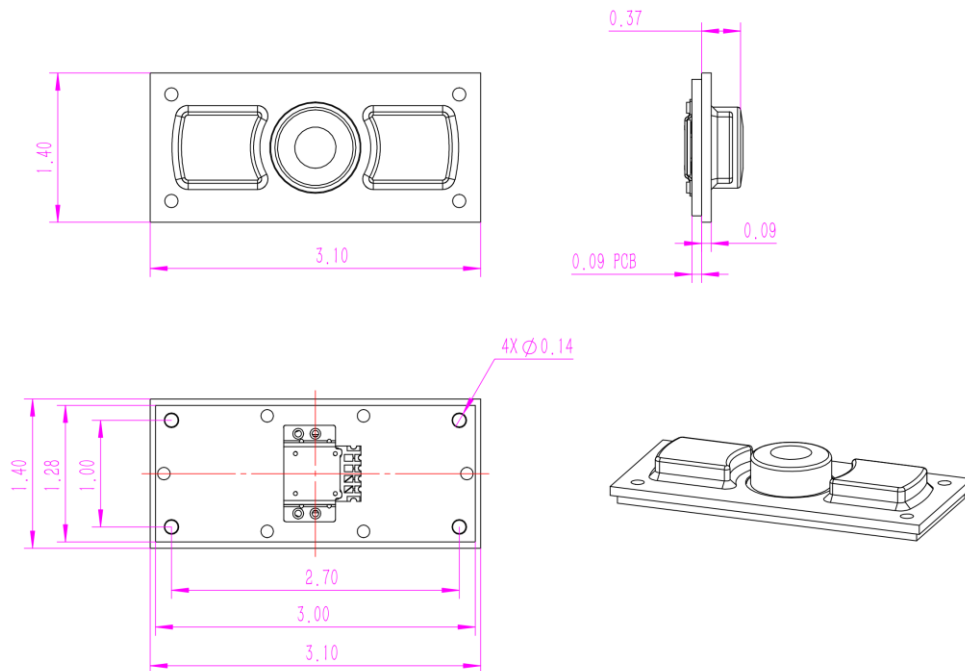
Symbol	Description	Min	Typ	Max	Units	Notes
VDD	Supply Voltage	4.3	-	+5.25	V	
IOP	Supply Current when module is in operation mode		3.21		mA	
RPU	Pull-up Resistor	4	5.6	8	kΩ	PS/2 mode

MECHANICAL SPECIFICATION

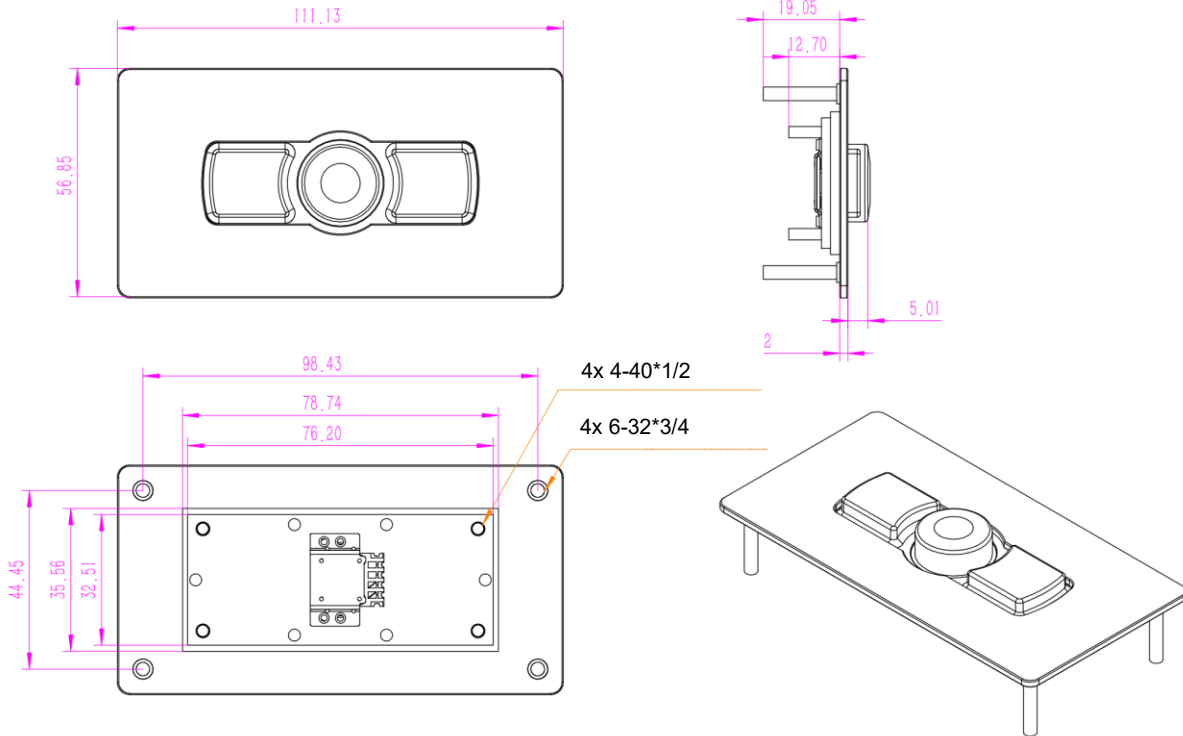
SK8726-76 (OEM) Mechanical Drawing (Unit in mm)



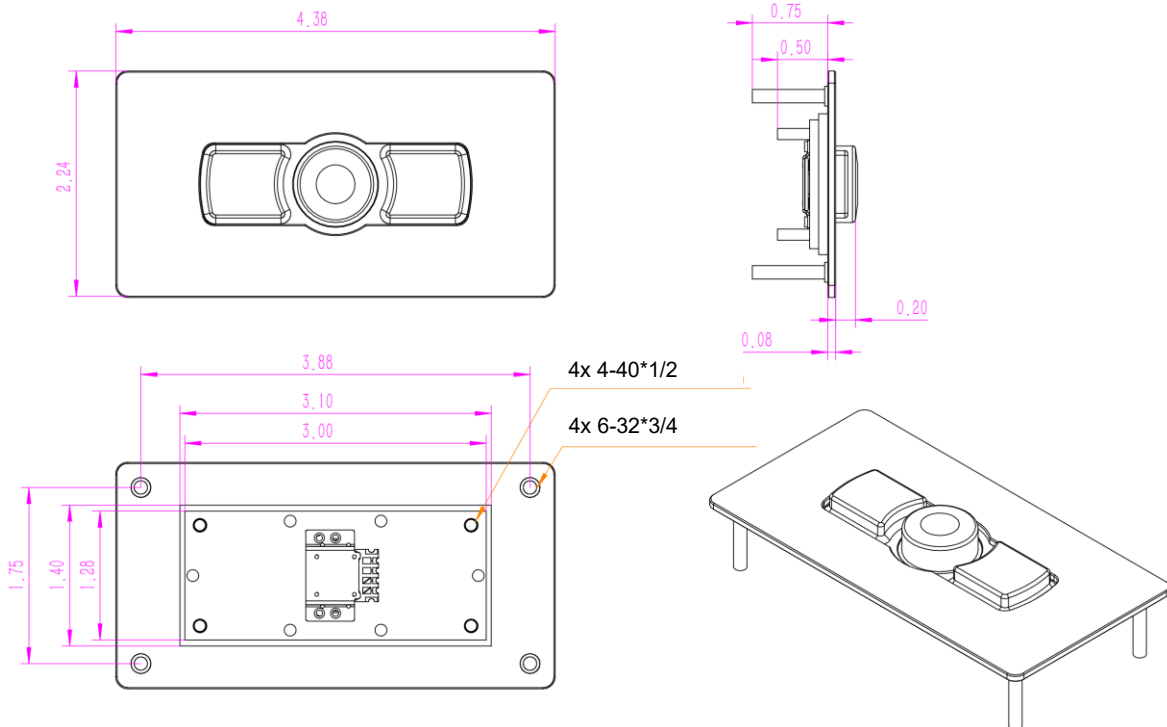
SK8726-76 (OEM) Mechanical Drawing (Unit in inch)



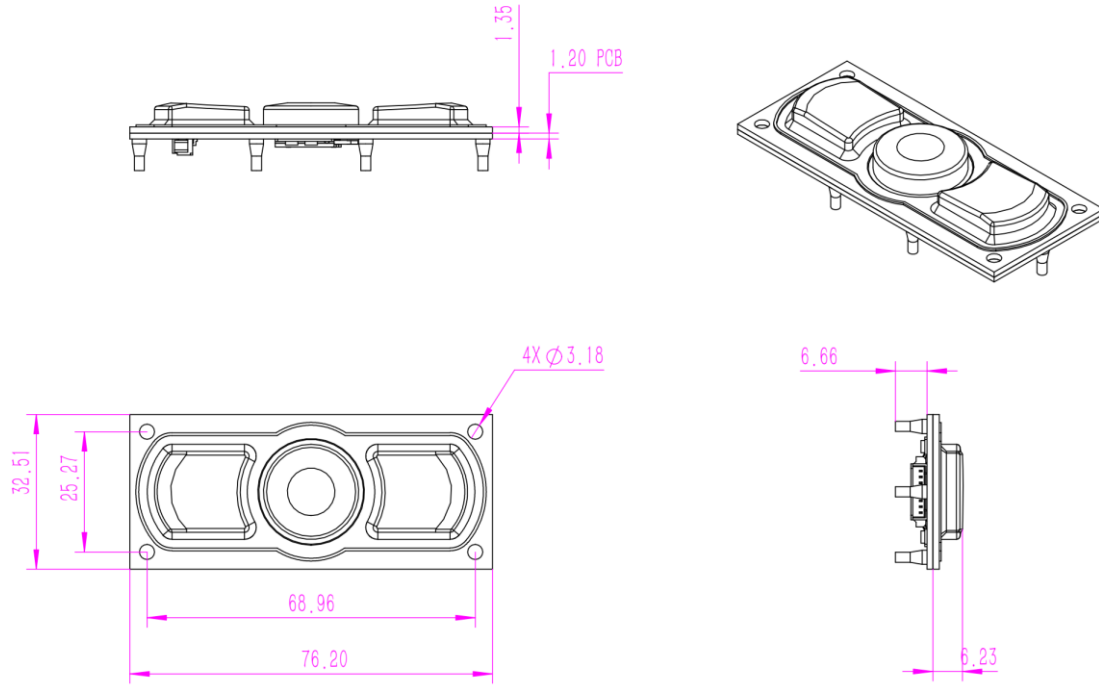
SK8726-76 (Panel) Mechanical Drawing (Unit in mm)



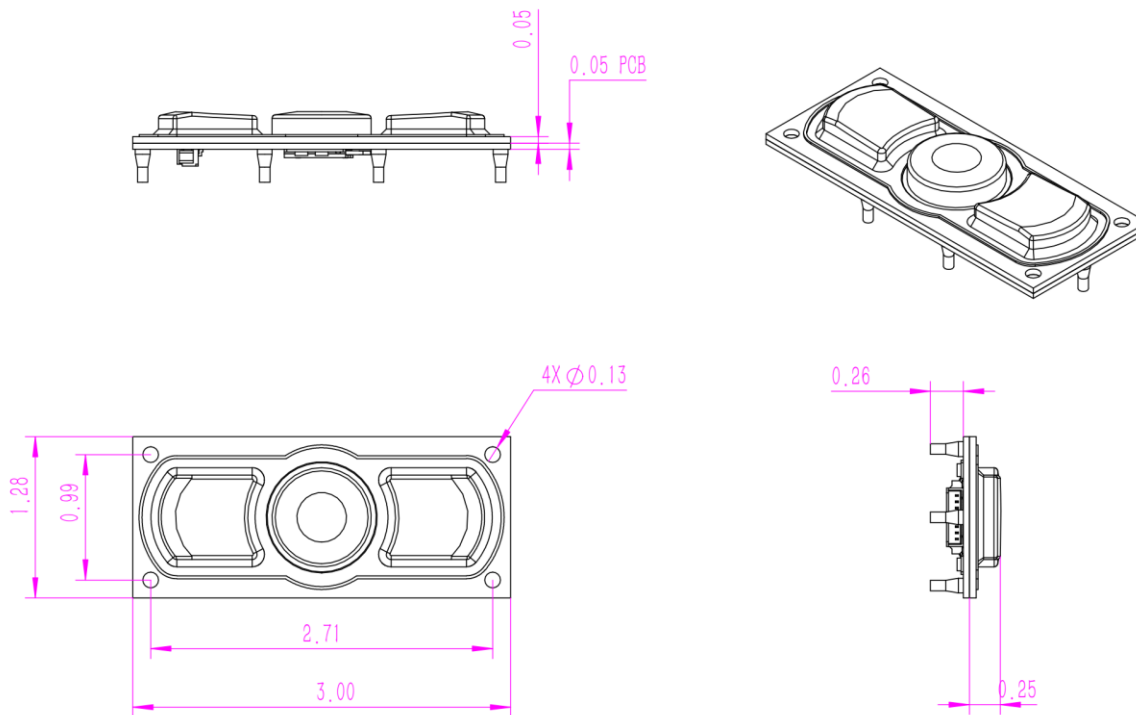
SK8726-76 (Panel) Mechanical Drawing (Unit in inch)



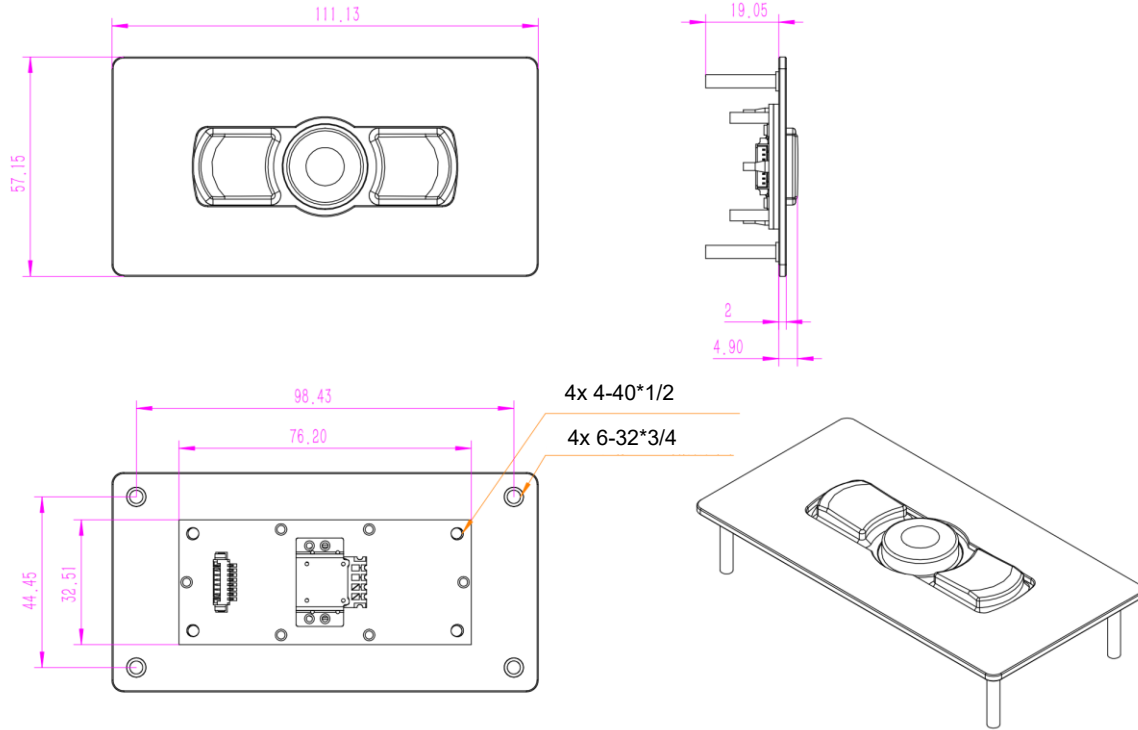
SK8725-75 (OEM) Mechanical Drawing (Unit in mm)



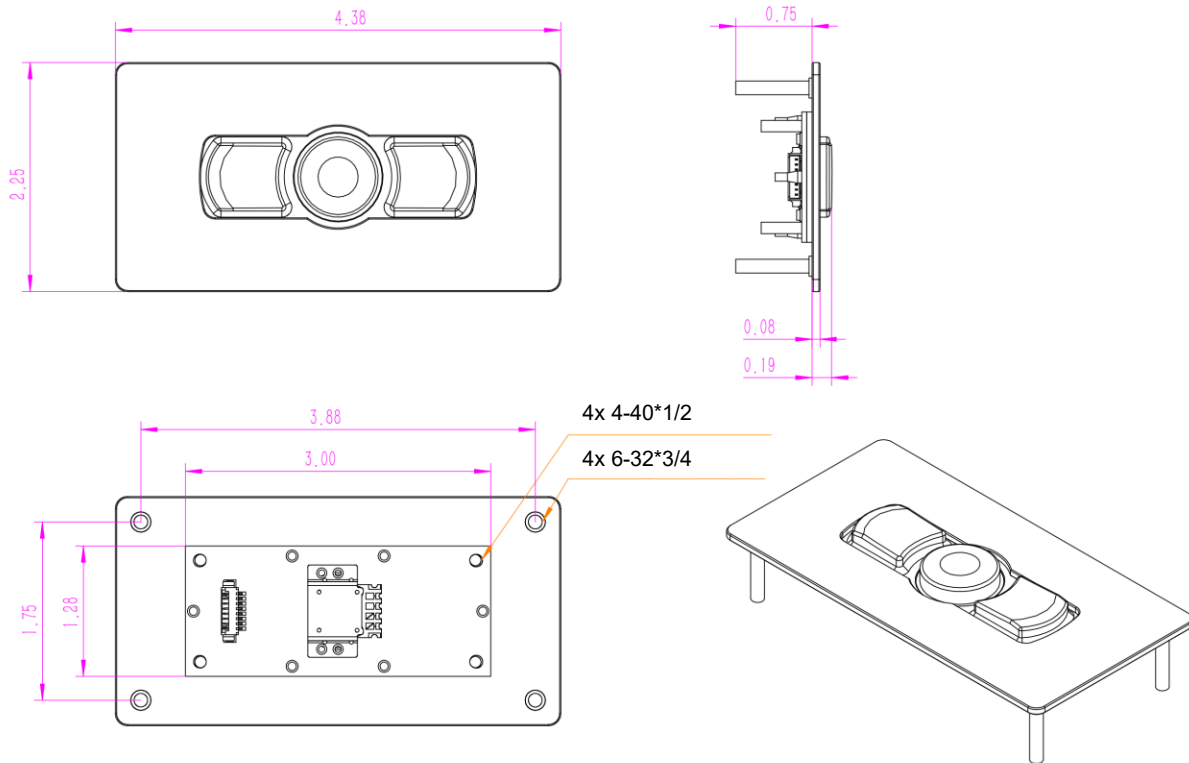
SK8725-75 (OEM) Mechanical Drawing (Unit in inch)



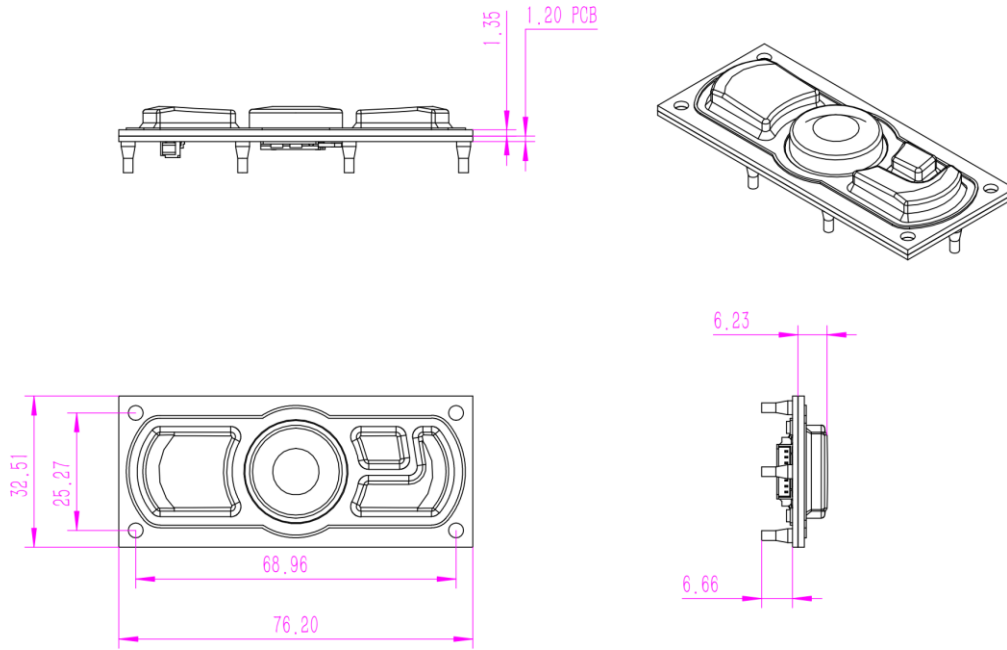
SK8725-75 (Panel) Mechanical Drawing (Unit in mm)



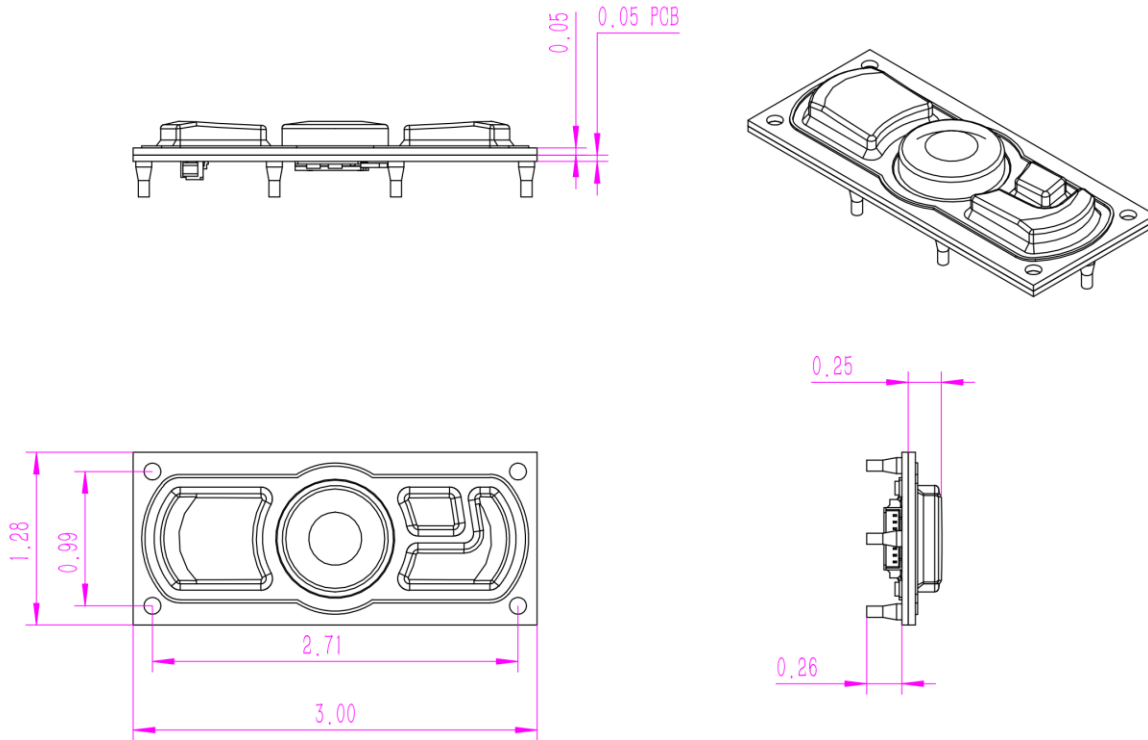
SK8725-75 (Panel) Mechanical Drawing (Unit in inch)



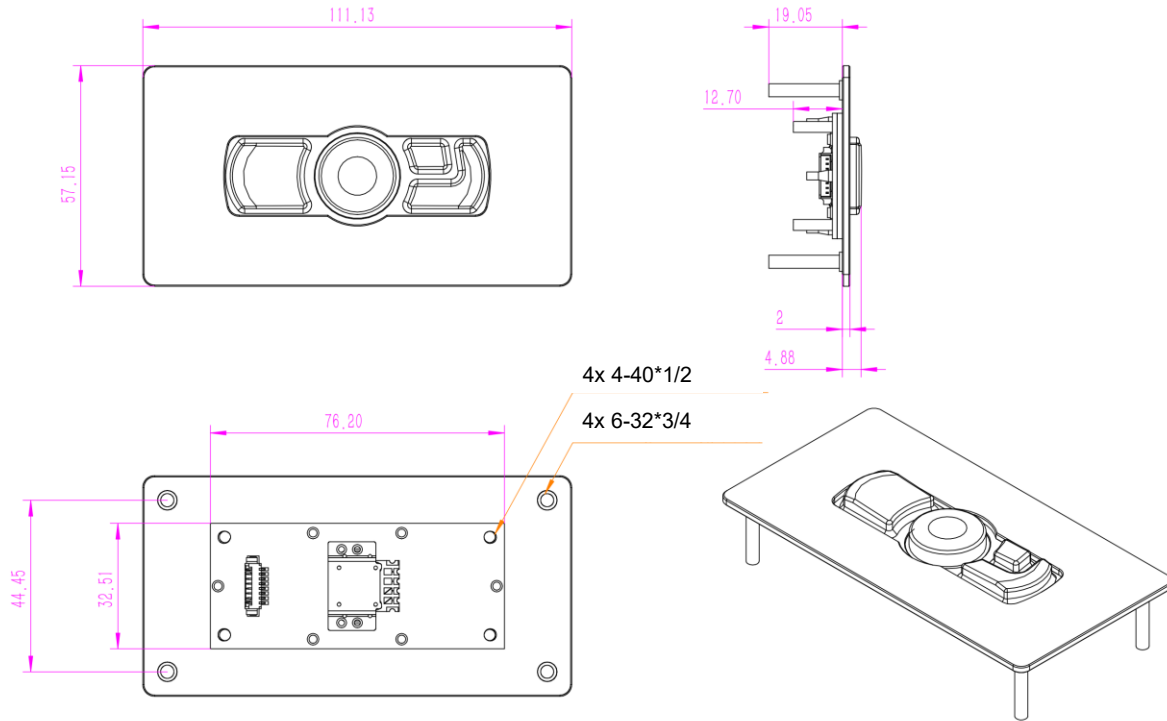
SK8722-72 (OEM) Mechanical Drawing (Unit in mm)



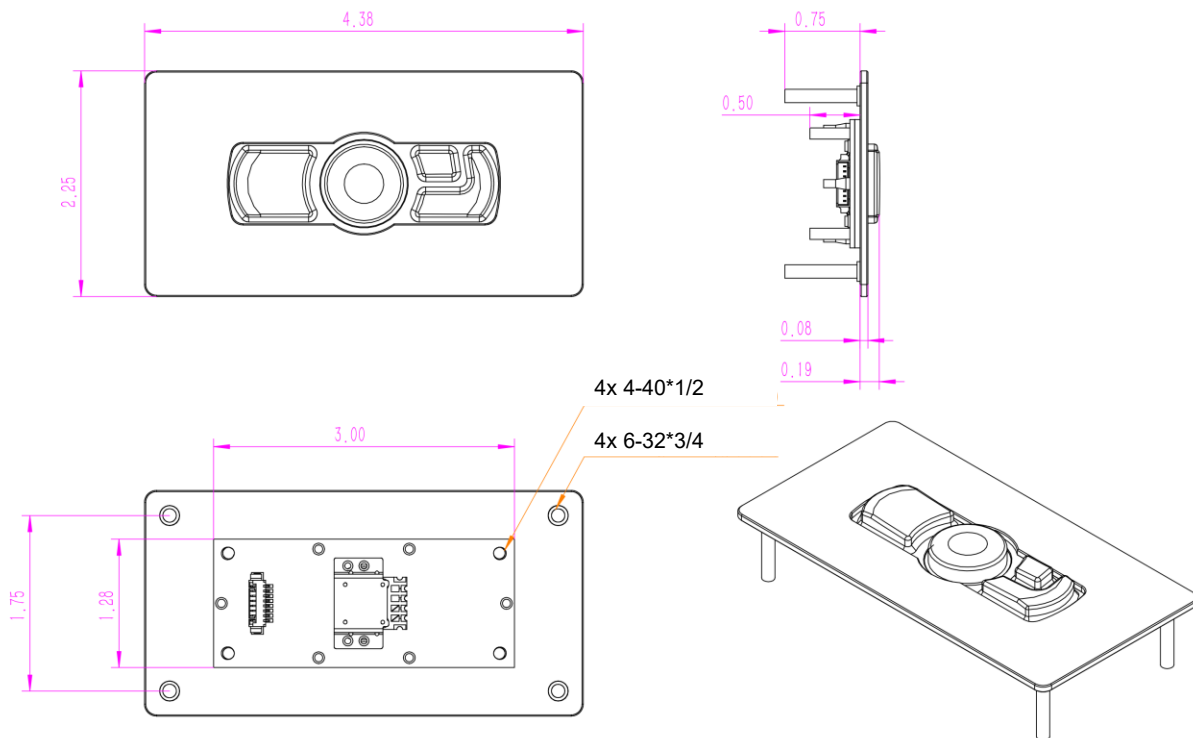
SK8722-72 (OEM) Mechanical Drawing (Unit in inch)



SK8725-75 (Panel) Mechanical Drawing (Unit in mm)



SK8725-75 (Panel) Mechanical Drawing (Unit in inch)





SALE AND SERVICE INFORMATION

To obtain information about Sprintek Corporation or ToughPoint™ product sales and technical support, reference the following information.

Sprintek Corporation

4969 Corral Street

Simi Valley, CA 93063, USA

Web Site: <http://www.sprintek.com>

REVISION HISTORY

Revision	Issue Date	Description
1.00	June 9, 2025	Initial Release
1.01	June 22, 2026	Added SK8726 module