

## FEATURES

- Standard USB or PS/2 mouse interface
- Robust mechanical design for industrial applications. Passed the 10 million cycle test.
- Advanced smooth motion control algorithm
- CellMute™ technology filters the wireless EMI noise from cellular phones and wireless networks
- Works with standard Windows® mouse drivers
- 4.3V to 5.25V operating voltage
- Temperature range: -40°C to +85°C

## APPLICATION

- Industrial/Medical Keyboards
- Instrumentation Control Panel

## DESCRIPTION

The SK8724 ToughPoint™ silicone rubber pointer mouse OEM module is a robust PS/2 pointer mouse device deploying a Sprintek advanced pointing stick controller. The module can be easily integrated into industrial / medical control panels, keyboards as a mouse function. The module has high ESD protection.

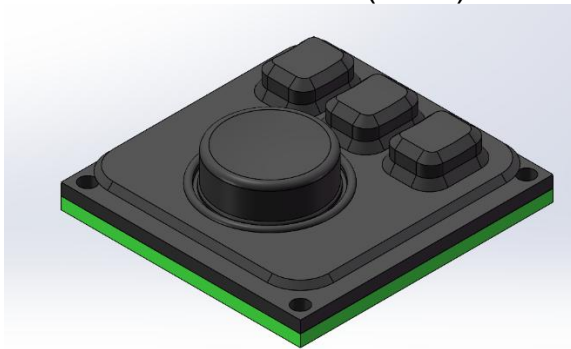
Deploying CellMute™ technology and patented signal conditioning circuit to filter the wireless EMI noise from cellular phones and wireless networks, the SK8724 modules can work quietly in wireless environment.

## ORDEING INFORMATION

SK8724-74-003 (USB, OEM)  
SK8724-74-004 (USB, Panel Mount)  
SK8724-74-005 (PS/2, OEM)  
SK8724-74-006 (PS/2, Panel Mount)

## MODULE PICTURES

SK8724 (OEM)

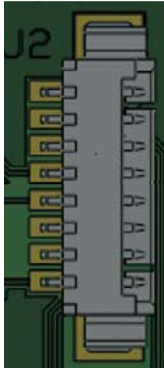


SK8724 (Panel Mount)



## Connector Pinout – PS/2 Interface

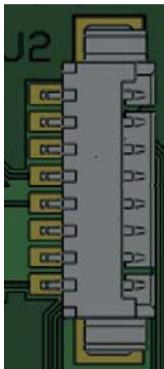
Molex #53261-0871



J2 Pin	Signal	Description
8	DATA	PS/2 Data
7	CLK	PS/2 Clock
5	SHIELD	Shield ground
4	GND	Ground
1	VCC	+5V

## Connector Pinout – USB Interface

Molex #53261-0871



J2 Pin	Signal	Description
5	SHIELD	Shield ground
4	GND	Ground
3	D-	USB D-
2	D+	USB D+
1	VCC	+5V

## Communication Protocol

SK8724 simulates standard USB and PS/2 mouse and follows its command protocol.

## ELECTRONICS SPECIFICATION

### Absolute Maximum Ratings

Symbol	Description	Min	Typ	Max	Units	Notes
TSTG	Storage Temperature	-40	-	+85	°C	

### Operating Temperature

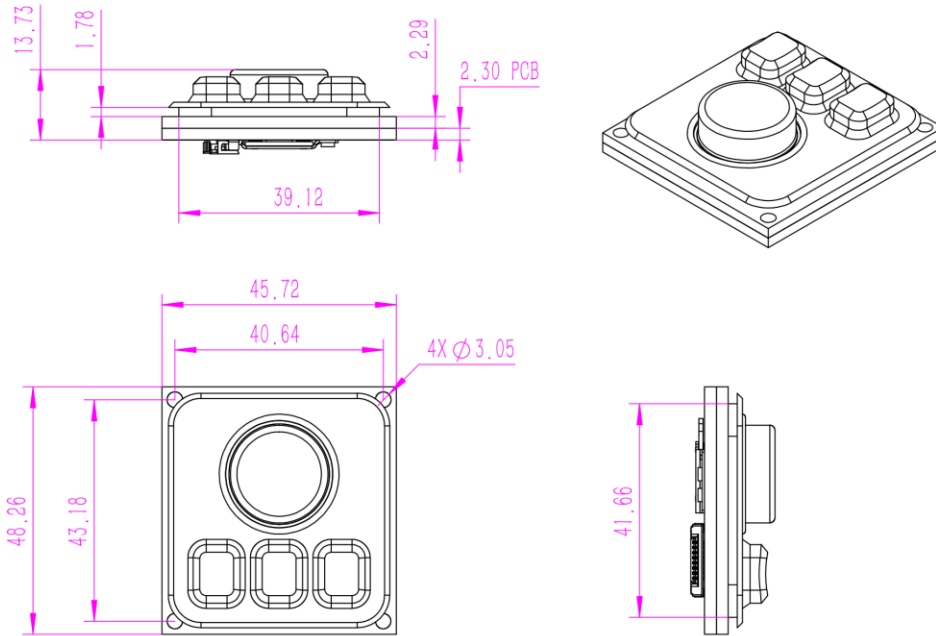
Symbol	Description	Min	Typ	Max	Units	Notes
TOP	Operating Temperature	-40	-	+85	°C	

### DC Electrical Characteristics

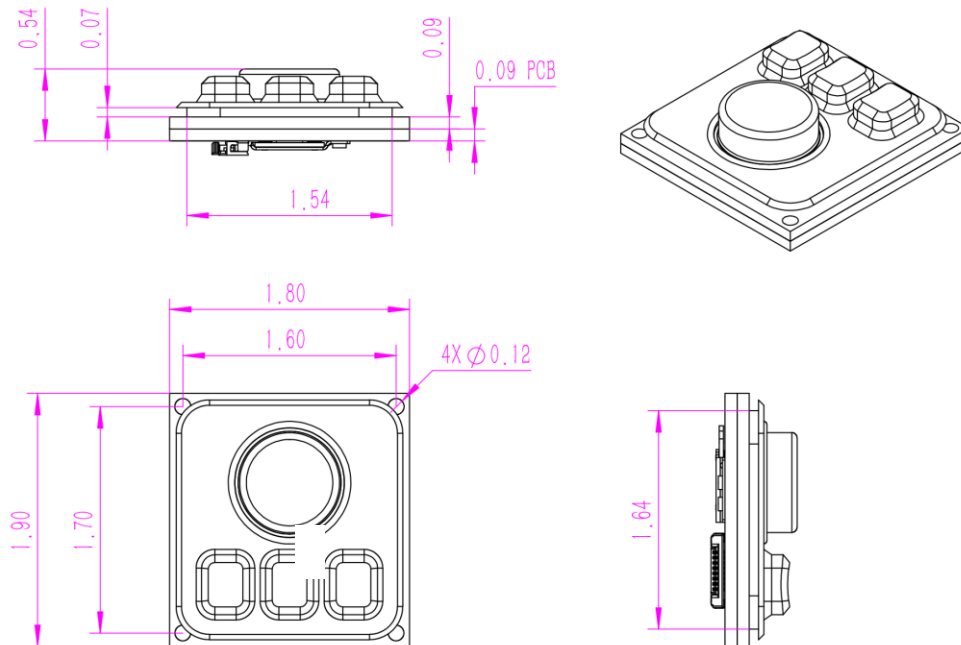
Symbol	Description	Min	Typ	Max	Units	Notes
VDD	Supply Voltage	4.3	-	+5.25	V	
IOP	Supply Current when module is in operation mode		15		mA	
RPU	Pull-up Resistor	4	5.6	8	kΩ	PS/2 mode

MECHANICAL SPECIFICATION

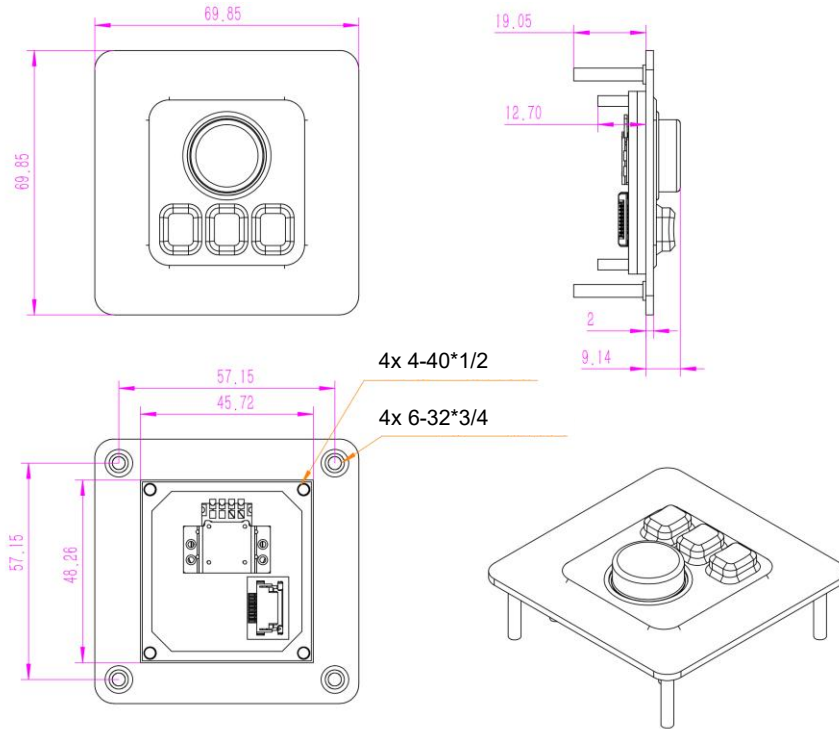
SK8724-74 (OEM) Mechanical Drawing (Unit in mm)



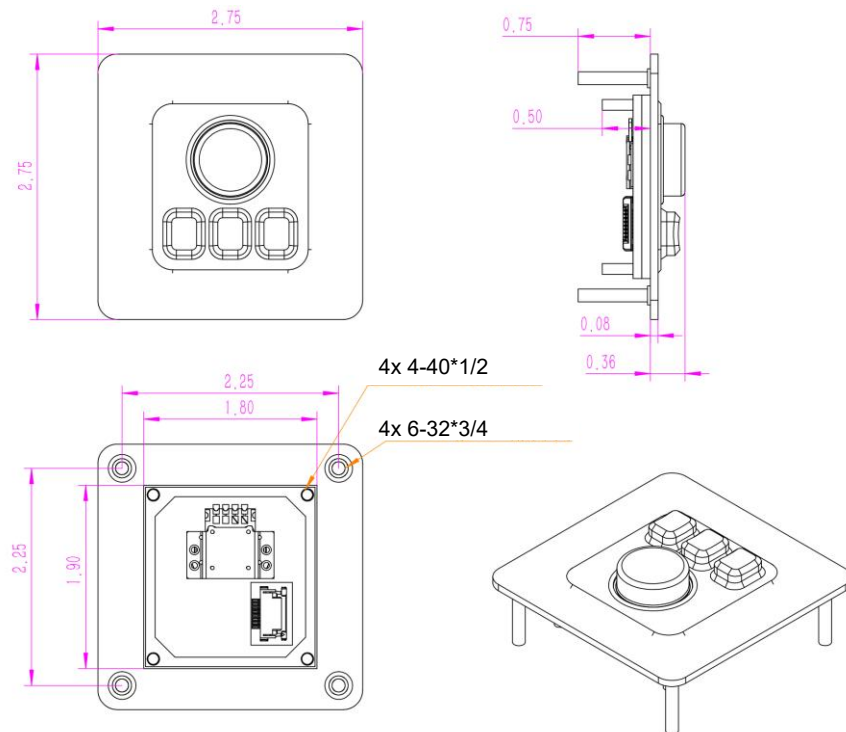
SK8724-74 (OEM) Mechanical Drawing (Unit in inch)



**SK8724-74 (Panel) Mechanical Drawing (Unit in mm)**



**SK8724-74 (Panel) Mechanical Drawing (Unit in inch)**





## SALE AND SERVICE INFORMATION

To obtain information about Sprintek Corporation or ToughPoint™ product sales and technical support, reference the following information.

### Sprintek Corporation

4969 Corral Street

Simi Valley, CA 93063, USA

Web Site: <http://www.sprintek.com>

## REVISION HISTORY

Revision	Issue Date	Description
1.00	June 23, 2026	Initial Release